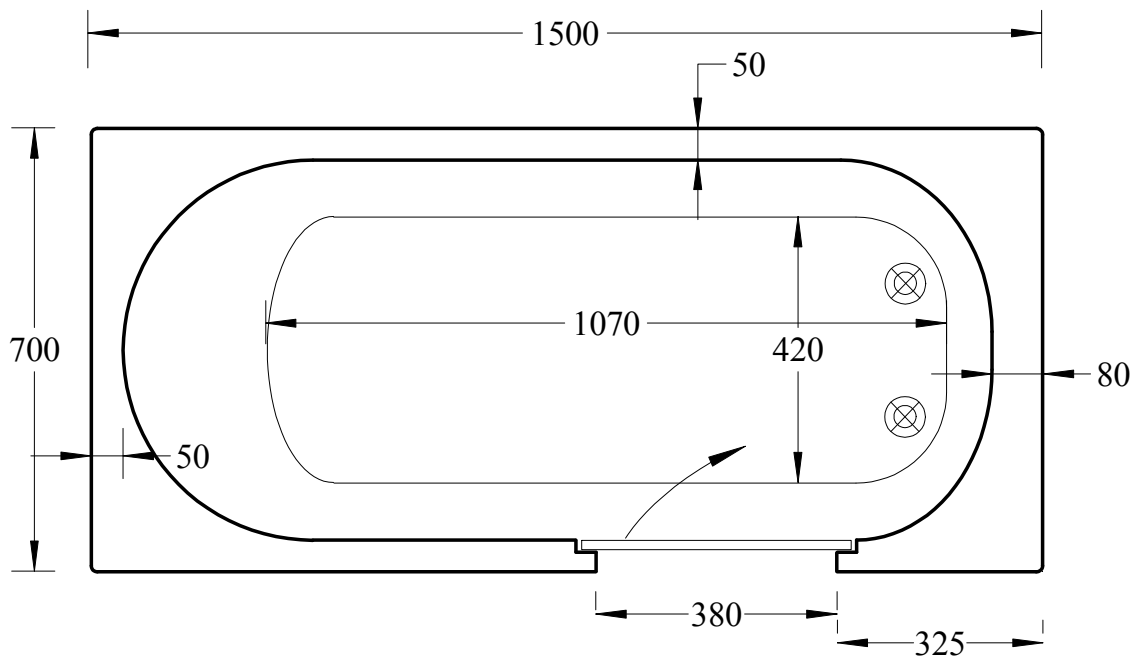
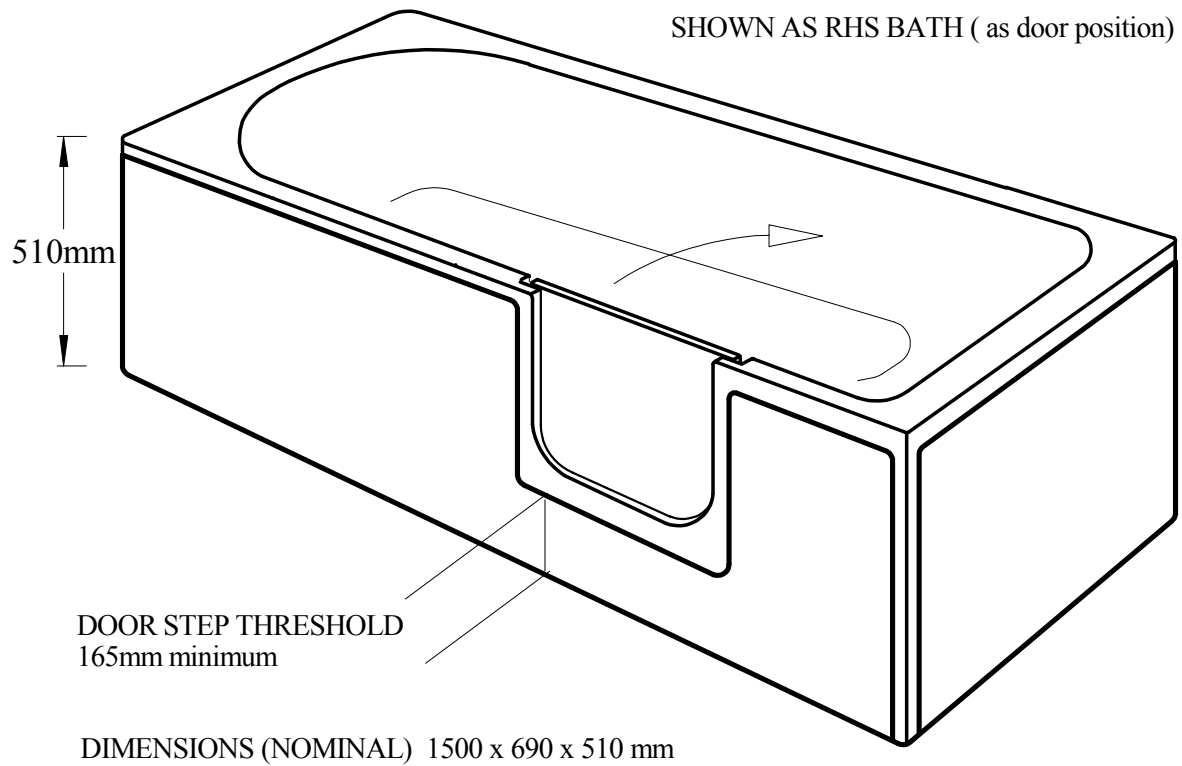


# ABALONE 1500



WATER CAPACITY UNOCCUPIED - 167 LITRES

INTERNAL DEPTH - 395mm

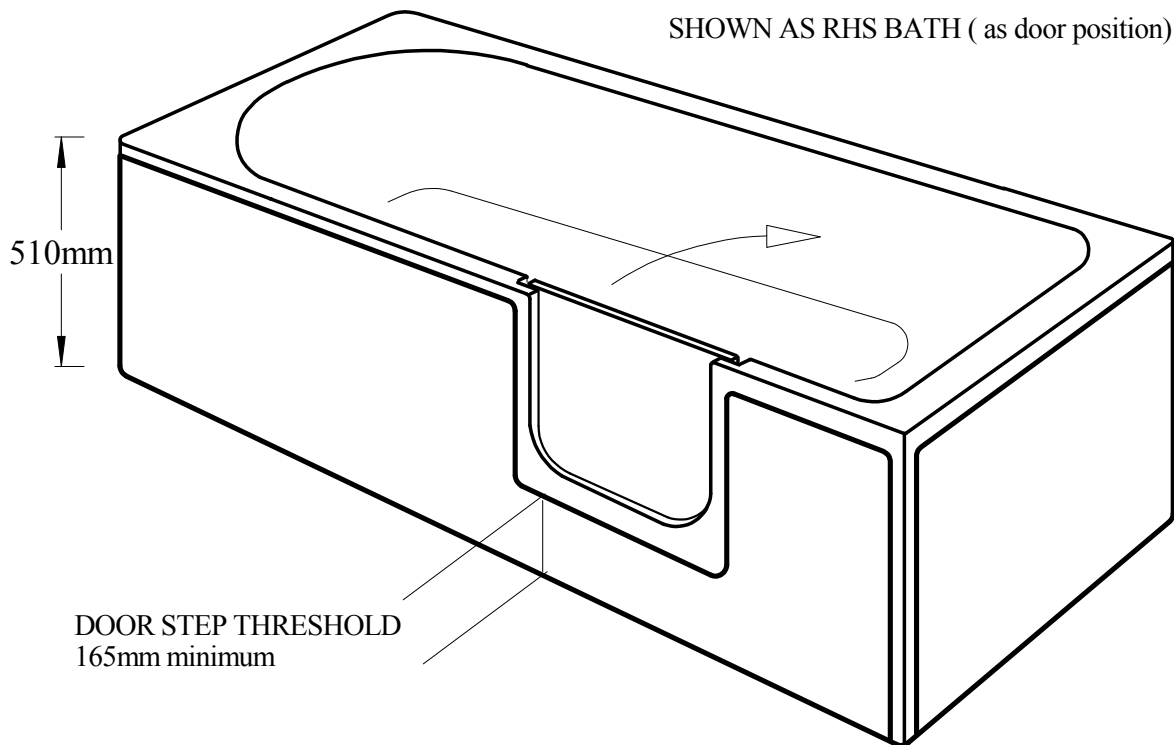
SLIP RESISTANT ENTRY

TWIN WASTES

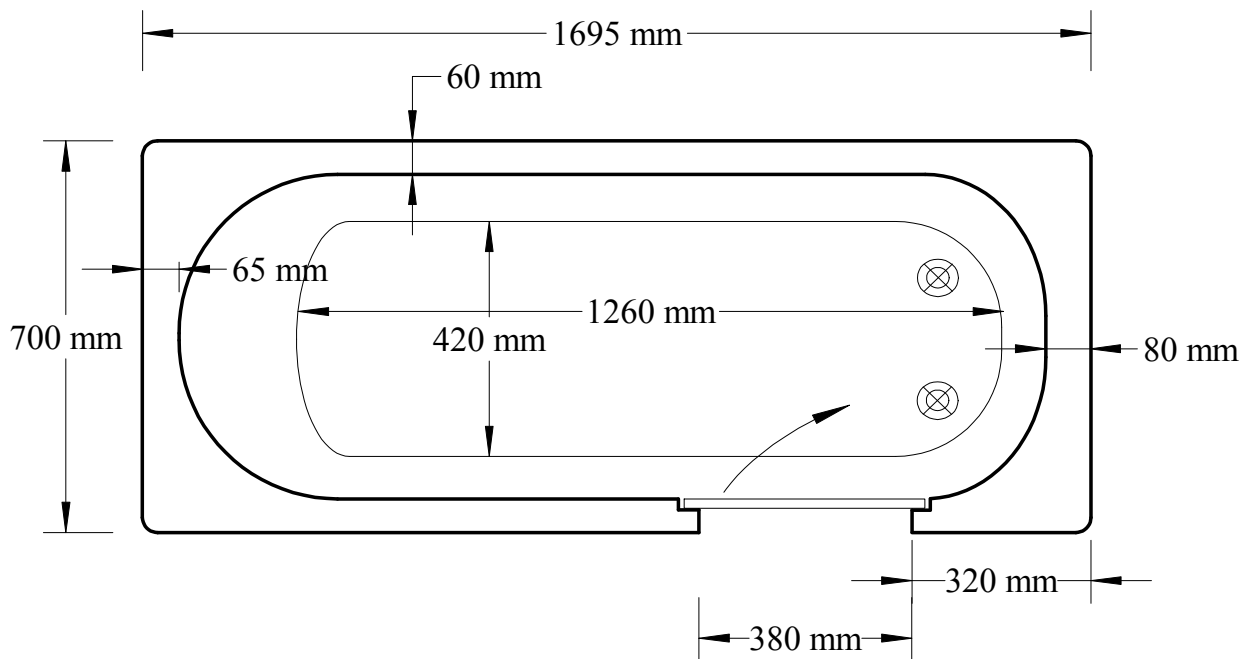
LHS AND RHS DOOR OPTIONS

# ABALONE 1700

SHOWN AS RHS BATH ( as door position)



DIMENSIONS (NOMINAL) 1695 x 690 x 510



WATER CAPACITY UNOCCUPIED - 188 litres

INTERNAL DEPTH - 380mm

SLIP RESISTANT ENTRY

TWIN WASTES

LHS AND RHS DOOR OPTIONS